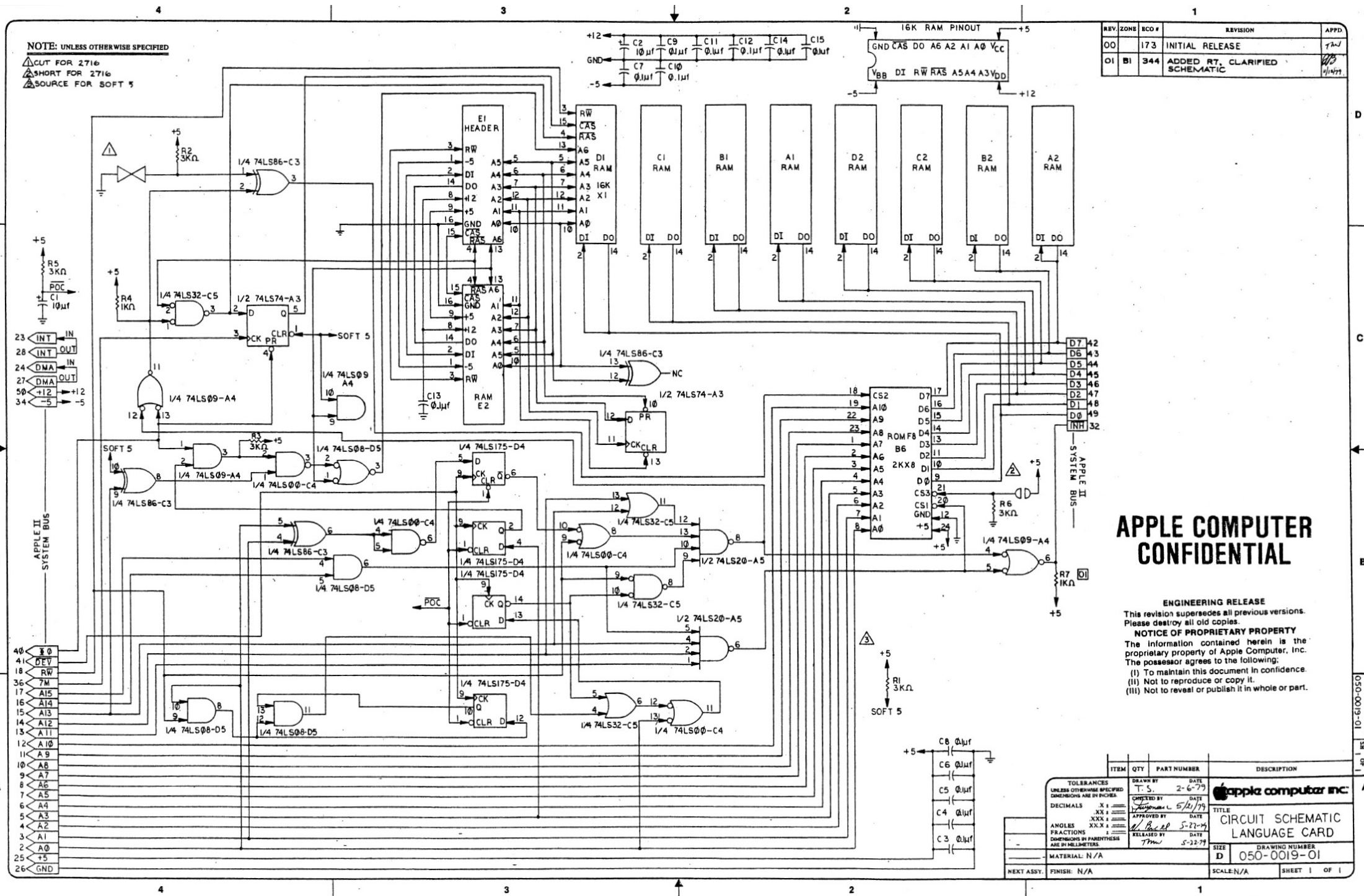


NOTE: UNLESS OTHERWISE SPECIFIED

- △ CUT FOR 2716
- ▲ SHORT FOR 2716
- △ SOURCE FOR SOFT 5

| REV | ZONE | ECO # | REVISION | APPD |
|-----|------|-------|-------------------------------|---------|
| 00 | | 173 | INITIAL RELEASE | TNJ |
| 01 | B1 | 344 | ADDED RT, CLARIFIED SCHEMATIC | WJ/1/79 |



**APPLE COMPUTER
CONFIDENTIAL**

ENGINEERING RELEASE
 This revision supersedes all previous versions. Please destroy all old copies.
NOTICE OF PROPRIETARY PROPERTY
 The information contained herein is the proprietary property of Apple Computer, Inc. The possessor agrees to the following:
 (I) To maintain this document in confidence.
 (II) Not to reproduce or copy it.
 (III) Not to reveal or publish it in whole or part.

| ITEM | QTY | PART NUMBER | DESCRIPTION |
|------|-------|-------------|-------------|
| C3 | 0.1µf | | |
| C4 | 0.1µf | | |
| C5 | 0.1µf | | |
| C6 | 0.1µf | | |
| C8 | 0.1µf | | |

| | | |
|--|-------------------------|--------------|
| TOLERANCES UNLESS OTHERWISE SPECIFIED DIMENSIONS ARE IN INCHES | DRAWN BY T.S. | DATE 2-6-79 |
| DECIMALS .XX ± | CHECKED BY [Signature] | DATE 5/11/79 |
| ANGLES .XX ± | APPROVED BY [Signature] | DATE 5-22-79 |
| FRACTIONS 1/16 ± | RELEASED BY Tmj | DATE 5-22-79 |
| CONTRIBUTORS IN PARENTHESES USE IN MILLIMETERS | | |

| | |
|----------------|---------------------------------|
| TITLE | CIRCUIT SCHEMATIC LANGUAGE CARD |
| SIZE | D |
| DRAWING NUMBER | 050-0019-01 |
| MATERIAL | N/A |
| FINISH | N/A |
| SCALE | N/A |
| SHEET | 1 OF 1 |

10-6100-0050
REVISION DIMA 7/82